

Installation, Operation and Maintenance Instructions

1100°C Ashing Furnace - AAF Model: 18 Litres

No Controller

AAF 11/18 + No Controller

Contents

This manual is for guidance on the use of the Carbolite Gero product specified on the front cover. This manual should be read thoroughly before unpacking and using the furnace or oven. The model details and serial number are shown on the back of this manual. Use the product for the purpose for which it is intended.

| | | |
|-------|--|----|
| 1.0 | Symbols and Warnings | 4 |
| 1.1 | Switches and Lights | 4 |
| 1.2 | General Warnings | 4 |
| 1.3 | Prerequisites to Use | 5 |
| 2.0 | Installation | 6 |
| 2.1 | Unpacking and Handling | 6 |
| 2.2 | Siting and Setting Up | 6 |
| 2.3 | Chimney | 7 |
| 2.4 | Electrical Connections | 8 |
| 3.0 | Temperature Controller | 10 |
| 4.0 | Operation | 11 |
| 4.1 | Operating Cycle | 11 |
| 4.2 | General Operating Notes | 11 |
| 4.3 | Use of Probes and Metal Sheathed Thermocouples | 12 |
| 4.4 | Atmospheres | 12 |
| 4.5 | Operator Safety | 12 |
| 4.6 | Power Adjustment | 13 |
| 5.0 | Maintenance | 14 |
| 5.1 | General Maintenance | 14 |
| 5.2 | Maintenance Schedule | 14 |
| 5.2.1 | Cleaning | 16 |
| 5.3 | Safety Switch | 16 |
| 5.4 | Calibration | 16 |
| 5.5 | After-Sales Service | 17 |
| 5.6 | Recommended Spare Parts and Spare Parts Kit | 17 |
| 6.0 | Repairs and Replacements | 18 |
| 6.1 | Safety Warning - Disconnection from Power Supply | 18 |
| 6.2 | Safety Warning - Refractory Fibre Insulation | 18 |
| 6.3 | Temperature Controller Replacement | 18 |
| 6.4 | Solid-State Relay Replacement | 19 |
| 6.5 | Thermocouple Replacement | 19 |
| 6.6 | Panel Element Replacement | 19 |

| | | |
|------|--------------------------------|----|
| 6.7 | Door Plug Replacement | 21 |
| 6.8 | Fuse Replacement | 21 |
| 7.0 | Fault Analysis | 23 |
| A. | Furnace Does Not Heat Up | 23 |
| B. | Product Overheats | 24 |
| 8.0 | Wiring Diagrams | 25 |
| 8.1 | WA-U3-30 | 26 |
| 8.2 | WA-U3-31 | 28 |
| 9.0 | Fuses and Power Settings | 30 |
| 9.1 | Fuses | 30 |
| 9.2 | Power Settings | 30 |
| 10.0 | Specifications | 31 |
| 10.1 | Environment | 31 |

1.0 Symbols and Warnings

1.1 Switches and Lights



Instrument switch: when the instrument switch is operated the temperature control circuit is energised.



Heat light: the adjacent light glows or flashes to indicate that power is being supplied to the elements.

1.2 General Warnings



DANGER – Electric shock. Read any warning printed next to this symbol.

WARNING: Risk of fatal injury.

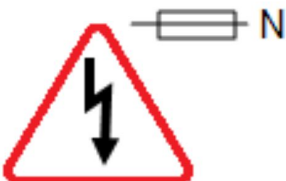


DANGER – Hot surface. Read any warning printed next to this symbol.

WARNING: All surfaces of a product may be hot.



DANGER – Read any warning printed next to this symbol.



Caution – Double Pole/Neutral Fusing

1.3 Prerequisites to Use

Prior to the commissioning and use of this product, all personnel involved in its installation, operation and maintenance must be deemed competent and have:

- Read and understood the information contained within this manual
- Received the relevant training with regard to safety and operation of the product
- Been provided with the appropriate PPE (Personal Protective Equipment) required for the safe operation of this product

Note: The customer is responsible for ensuring that all of the above conditions are satisfied before the product is commissioned for use.



Note: Unless otherwise specified, the customer is responsible for the installation of this product and the safe connection of any additional equipment and gas or liquid supply lines.

2.0 Installation

2.1 Unpacking and Handling

When unpacking and handling the product, always lift it by its base. Do not use the door or any other projecting cover or component to support the equipment when moving it. Use two or more people to carry the product where possible.

Carefully remove any packing material from inside and around the product before use. Avoid damaging the surrounding insulation when removing packing materials.



NOTE: This product contains Refractory Ceramic Fibre (also known as Alumino Silicate Wool - ASW). For precautions and advice on handling this material see section 6.2.

2.2 Siting and Setting Up

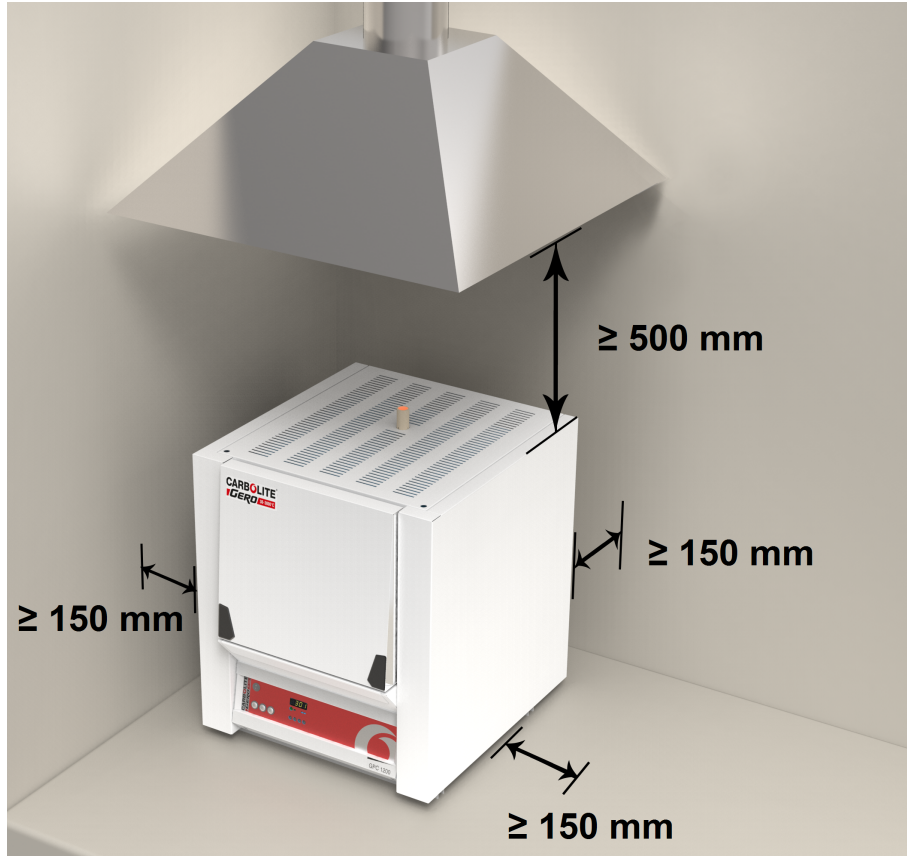
Place the product on a level surface in a well ventilated area.

Site away from other sources of heat and on a non-flammable surface that is resistant to accidental spillage or hot materials.

The surface on which the equipment is mounted should be stable and not subject to movement or vibrations.

The height of the mounting surface is important to avoid operator strain when loading and unloading samples.

Unless otherwise stated elsewhere in this manual, ensure that there is **at least 150 mm** of free space around the back and sides of the product. Clear space is required above the product to dissipate heat.



Depending on the application of the product, it may be appropriate to position it under an extraction hood. Ensure the extraction hood is switched on during use.

Ensure that the product is placed in such a way that it can be quickly switched off or disconnected from the electrical supply.



Under no circumstances should any objects be placed on top of the product. Always ensure that any vents on the top of the product are clear of any obstruction. Always ensure all cooling vents and cooling fans (if fitted) are clear of any obstruction.

2.3 Chimney

The chimney is a length of tubing. If it is supplied unfitted, then fit it through the hole in the top of the case.

If the product is to be used to heat substances that emit fumes, a fume extraction duct of approximately 75 mm - 150 mm inlet diameter may be placed directly above the chimney outlet.

Do not make a sealed connection to the product chimney as this causes excessive airflow through the chamber and results in poor temperature uniformity.



| Key | |
|-----|--|
| A | Duct (75mm-150mm diameter) |
| B | Ambient air is drawn into duct |
| C | Chimney |
| D | 25mm vertical gap between chimney and duct |

2.4 Electrical Connections



Connection by a qualified electrician is recommended.

This product requires a single-phase A.C. supply with earth (ground), which may be Live to Neutral non-reversible (polarised), Live to Neutral reversible (non-polarised), or Live to Live.

Check the product rating label before connection. The supply voltage should agree with the voltage on the label and the supply capacity should be sufficient for the current on the label.

The supply should be fused at the next size equal to, or higher than the current on the label. This manual contains a table of the most common fuse ratings.

When the mains cable is factory fitted, internal fuses are also fitted. It is essential that the operator ensures that the product is correctly fused.

Products with a factory fitted supply cable are designed to be wired directly to an isolator or fitted with a line plug.

Products without a factory fitted supply cable require a permanent connection to a fused and isolated supply. The product's electrical access panel should be temporarily removed, and connections made to the internal terminals.

When connecting the product to the power supply, the plug or isolating switch should be accessible, easy to remove, and within reach of the operator.

The supply MUST incorporate an earth (ground).

Electrical Connection Details:

| Supply | Terminal Label | Cable Colour | Supply Types | |
|---------|----------------|---------------|-------------------|--|
| | | | Live - Neutral | Reversible or Live-Live |
| 1-phase | L1 | Brown | to live | to either power conductor (For USA 200-240V, connect L1) |
| | N / L2 | Blue | to neutral | to the other power conductor (For USA 200-240V, connect L2) |
| | PE | Green/ Yellow | to earth (ground) | to earth (ground) |

3.0 Temperature Controller

If this product is fitted with a temperature controller, instructions are provided separately.

4.0 Operation

4.1 Operating Cycle

This product is fitted with an instrument switch which cuts off power to the control circuit.

Connect the product to the electrical supply.

Turn on the instrument switch to activate the temperature controllers. The controllers illuminate and go through a short test cycle.

Over-Temperature option only. If the digital over-temperature option has not yet been set as required, set and activate it according to the over-temperature controller instructions.

The product will heat up according to the controller setpoint or program, unless a time switch is fitted and switched off.

As the product heats up, the heat light glows steadily at first and then flashes as the product approaches the desired temperature. For more information on temperature control see the controller instructions.

Over-Temperature option only. If the over-temperature circuit has tripped, an indicator on the over-temperature controller flashes and the heating elements are isolated. Find and correct the cause before resetting the over-temperature controller according to the instructions supplied.

To turn the product off, set the instrument switch to its off position. The controller display will go blank. If the product is to be left unattended, isolate it from the electrical supply.

4.2 General Operating Notes



Heating element life is shortened by overheating. Do not leave the product at high temperature when it is not required. The maximum temperature is shown on the product rating label and in section 10.0 towards the back of this manual.

When heating large objects, in particular poor conductors, avoid shielding the thermocouple from the heating elements. The thermocouple is intended to sense the temperature near the heating elements. However, if a large object is placed in the chamber it may record the average temperature of the object and the elements, this can lead to overheating of the elements. Allow large objects to gain heat at a lower temperature and then reset the controller to a temperature close to the desired maximum, or heat using a slowly controlled ramp rate. For more information refer to the controller instructions.

When heating materials that produce smoke or fumes, the chimney must be correctly fitted and unobstructed. If not, soot will accumulate in the chamber and could possibly cause an electrical breakdown of the heating element. If the furnace is used to heat materials that emit smoke or fumes, regularly heat it up to maximum temperature for one hour with the chamber empty to burn away the soot.

Materials such as case hardening compounds and other reactive salts may penetrate the furnace chamber lining and attack the wire elements, causing premature failure. Use of a hearth tile may be advisable: please consult the Carbolite Gero technical department.

4.3 Use of Probes and Metal Sheathed Thermocouples



Any metal object used to probe into the product chamber while the product is connected to the electrical supply must be earthed. This applies in particular to metal sheathed thermocouples, where the sheaths must be earthed. The refractory material of the chamber lining becomes partly conductive at high temperatures and the electric potential inside the chamber can be at any value between zero and the supply voltage. Unearthed probes can cause serious electric shock.

4.4 Atmospheres

When an optional gas inlet is fitted, there is a label near the inlet saying "INERT GAS ONLY". In practice, inert or oxidising gases may be used, but not combustible or toxic gases.

The chamber is not gas tight, the gas usage may be high and the chamber is always likely to contain some air. Residual oxygen of approximately 1% to 2% is to be expected.

4.5 Operator Safety



This product incorporates a safety switch which interrupts the heating element circuit when the furnace is opened. This prevents the operator touching a live heating element and also prevents the product from heating up if the furnace is left open. The operation of this switch should be checked periodically.



Depending on use, the surfaces in the working chamber and the chamber load may still be very hot after the appliance is switched off. Touching these surfaces may cause burns. Use suitable personal protective equipment or wait until the appliance cools down to ambient temperature.

Before removing a hot object from the product, make sure there is a safe place to put it down. If necessary use tongs, face masks and heat resistant gloves. Heat resistant clothing and face protection can guard against the effects of radiated heat when the furnace is open.

When the product is opened during operation there is considerable radiated heat. Do not keep any flammable objects near the product, nor objects which could be damaged by radiated heat.

4.6 Power Adjustment

The product control system incorporates electronic power limiting. Depending on the model and the destination country the power limit maybe set to 100% or a lower figure. Where appropriate the power limit parameter OP.Hi is accessible to the operator, but it should not generally be altered.

See section 9.0 for details of the power limit settings. DO NOT adjust the power to a level higher than the design level states; this may cause a fuse to blow and could damage the heating elements.

The power limit may be set to a lower limit if the product is to be used at a low temperature only: this may give better control stability. It may be set to zero to permit demonstration of the controls without the heating elements taking power; to resume heating reset it to its standard value.

5.0 Maintenance

5.1 General Maintenance

Preventive rather than reactive maintenance is recommended. The type and frequency depends on the product use; the following are recommended.
















5.2 Maintenance Schedule


 CUSTOMER

 QUALIFIED PERSONNEL



DANGER! ELECTRIC SHOCK. Risk of fatal injury. Only electrically qualified personnel should attempt these maintenance procedures.

| Maintenance Procedure | Method | Frequency | | | | |
|---|--|-----------|--|---|---|---|
| | | Daily | Weekly | Monthly | Bi-Annually | Annually |
| Safety | | | | | | |
| Safety Switch Function | Set a safe temperature above ambient, and open the door to see if the heater light goes out | |  | | | |
| Safety Switch Function | Electrical measurement  | | | | |  |
| Over-Temperature Safety Circuit (if fitted) | Set an over-temperature setpoint lower than the displayed temperature and check for an over-temperature alarm as detailed in this manual | |  | | | |
| Over-Temperature Safety Circuit (if fitted) | Electrical measurement  | | | | |  |
| Door Plug | Visual inspection, checking the seal and whether it is free of damage | |  | | | |
| Door Plug | Replacement where necessary | | | | |  |
| Chimney / Extraction | Check and clean if necessary | | |  | |  |
| Electrical Safety (external) | Visual check of external cables and plugs | | |  | | |
| Electrical Safety (internal) | Physically check all connections and cleaning of the power plate area | | | | |  |
| Function | | | | | | |
| Temperature Calibration | Tested using certified equipment, frequency dependent on the standard required | | |  |  |  |

| | | | | | | |
|--------------------------|--|--|--|--|--|---|
| Operational Check | Check that all functions are working normally | | | | | |
| Operational Check | Thorough inspection and report incorporating a test of all functions | | | | | 6 |
| Performance | | | | | | |
| Element Circuit | Electrical measurement  | | | | | 6 |
| Power Consumption | Measure the current drawn on each phase / circuit | | | | | 6 |
| Hearth | Visual check for fit and damage | | | | | |
| Cooling Fans (if fitted) | Check whether the cooling fans are working | | | | | |

5.2.1 Cleaning

Soot deposits may form inside the furnace, depending on the process. At appropriate intervals remove these by heating as indicated in the General Operation Notes.



The product's outer surface may be cleaned with a damp cloth. Do not allow water to enter the interior of the case or chamber. Do not clean with organic solvents.

5.3 Safety Switch

When correctly functioning, the safety switch will isolate all live conductors (live and neutral connections) within the heating element circuit(s) when the product door is opened. The safety switch should be checked regularly to ensure that this occurs.

The safety switch should not fail under normal working conditions, however rough handling, exposure to corrosive materials/ environments, or exceptionally frequent use, could compromise the safety system.

Weekly check:

The following check can be carried out by a general operator:

- On the temperature controller, set a safe temperature above ambient. The heater lights should illuminate.
- Open the door and check the heater lights. They should no longer be illuminated.

If the heater lights remain illuminated when the door is open, discontinue use and contact Carbolite Gero Service.

Annual check:

The following checks should be carried out by a qualified electrician, as specified in the "Maintenance Schedule" section of this manual:

- Remove the element access panel and take a voltage measurement from the heating element terminals. Do not attempt to take a reading from the heating element itself as surface oxidation will give an unreliable contact.
- Ensure that power to the heating elements is switched off when the door is opened.

Contact Carbolite Gero Service and discontinue use of the product if it is found that the heating elements are not fully isolated during these checks.

5.4 Calibration

After prolonged use, the controller and/or thermocouple may require recalibration. This is important for processes that require accurate temperature readings or for those that

use the product close to its maximum temperature. A quick check using an independent thermocouple and temperature indicator should be made from time to time to determine whether full calibration is required. Carbolite Gero can supply these items.

Depending on the controller fitted, the controller instructions may contain calibration instructions.

5.5 After-Sales Service

Carbolite Gero Service has a team of Service Engineers who can offer repair, calibration and preventive maintenance of furnace and oven products both at the Carbolite Gero factory and at customers' premises throughout the world. A telephone call or email often enables a fault to be diagnosed and the necessary parts to be despatched.

In all correspondence please quote the serial number and model type given on the rating label of the product. The serial number and model type are also given on the back of this manual when supplied with the product.

Carbolite Gero Service and Carbolite Gero contact information can be found on the back page of this manual.

5.6 Recommended Spare Parts and Spare Parts Kit

Carbolite Gero can supply individual spare parts or a kit of the items most likely to be required. Ordering a kit in advance can save time in the event of a breakdown.

Each kit consists of one thermocouple, one sheath, one solid state relay, one door insulation piece and a set of elements.

When ordering spare parts please quote the model details and serial number as requested above.

6.0 Repairs and Replacements

6.1 Safety Warning - Disconnection from Power Supply



Immediately switch the product off in the event of unforeseen circumstances (e.g. large amount of smoke). Allow the product to return to room temperature before inspection.



Always ensure that the product is disconnected from the electrical supply before repair work is carried out.

Caution: Double pole/neutral fusing may be used in this product.

6.2 Safety Warning - Refractory Fibre Insulation



Insulation made from High Temperature Insulation Wool Refractory Ceramic Fibre, better known as (Alumina silicate wool - ASW).

This product contains **alumino silicate wool** products in its thermal insulation. These materials may be in the form of blanket or felt, formed board or shapes, slab or loose fill wool.

Typical use does not result in any significant level of airborne dust from these materials, but much higher levels may be encountered during maintenance or repair.

Whilst there is no evidence of any long term health hazards, it is strongly recommended that safety precautions are taken whenever the materials are handled.

Exposure to fibre dust may cause respiratory disease.

When handling the material, always use approved respiratory protection equipment (RPE-eg. FFP3), eye protection, gloves and long sleeved clothing.

Avoid breaking up waste material. Dispose of waste in sealed containers.

After handling, rinse exposed skin with water before washing gently with soap (not detergent). Wash work clothing separately.

Before commencing any major repairs it is recommended to make reference to the European Association representing the High Temperature Insulation Wool industry (www.ecfia.eu).

Further information can be provided on request. Alternatively, Carbolite Gero Service can quote for any repairs to be carried out either on site or at the Carbolite Gero factory.

6.3 Temperature Controller Replacement

Refer to the controller instructions for more information on how to replace the temperature controller.

6.4 Solid-State Relay Replacement



Disconnect the product from the power supply and remove the appropriate cover as given above.

1. Make a note of the wire connections to the solid state relay, then disconnect them.
2. Remove the solid state relay from the base panel or aluminium plate.
3. Replace and reconnect the solid state relay ensuring that the bottom of it has good thermal contact with the base panel or aluminium plate.
4. Replace the access panel.

6.5 Thermocouple Replacement



Disconnect the product from the power supply. Remove the appropriate panel to gain access to the thermocouple connections. Make a note of the thermocouple connections.

Thermocouple cable colour codings are:

| Thermocouple leg | Colour |
|-------------------|--------|
| positive (type K) | green |
| negative | white |

Disconnect the thermocouple from its terminal block and withdraw the thermocouple from its sheath by bending the metal tag or releasing the screw to release. It is also advisable to remove the sheath and shake out any broken pieces of thermocouple.

Re-assemble with a new thermocouple, observing the colour coding, ensuring that the thermocouple is not twisted as it is being inserted and that the metal tag is bent back to grip the sheath.

Refit the element access panel.

6.6 Panel Element Replacement



See section 6.2 - wearing a face mask is required.

The chambers have two side-mounted refractory panels in which coiled heating elements are inserted, normally out of sight behind silicon carbide chamber walls.

Disconnect the product from the electrical supply and remove the products back panel.

Make a written plan showing ALL the element and thermocouple connections. It is important to make this plan for each individual product.

Disconnect all the element wire tails and thermocouple cables from their terminal blocks.

Straighten all the element tails. Note that these become brittle with use.

Unscrew the screws fixing the metal back piece to the insulation assembly, and carefully remove it, complete with thermocouple(s) and sheath(s).



Withdraw the back insulation piece. Handle with care.

Remove the silicon carbide chamber side walls, then withdraw the old element(s), and insert the new. Note that the ceramic element carriers are in two pieces, front and back: take care when handling them.

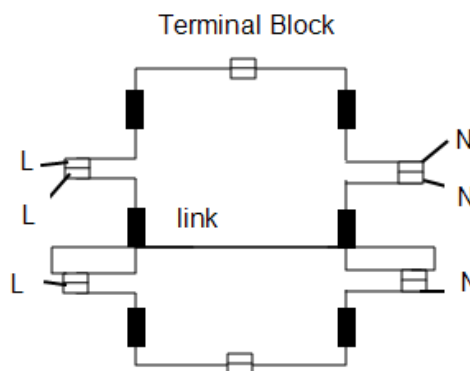
Replace the back insulation piece and metal piece together with the thermocouple(s) and sheath(s).

As necessary, shorten the element tails by clipping to length.

Remake all the thermocouple and element connections according to the individual plan.

Refit the back panel and operate the furnace for 30 minutes at 800 °C without interruption to ensure complete burn-off of any organic binders. Some smoke may be observed during this process, which should be carried out in a well ventilated area.

Check that the furnace is controlling properly to rule out the possibility that previous element failed because of a fault elsewhere in the control circuit.



AAF 11/18 element connection
example
(1-phase 200-240V)

6.7 Door Plug Replacement



See section 6.2 - wearing a face mask is required.

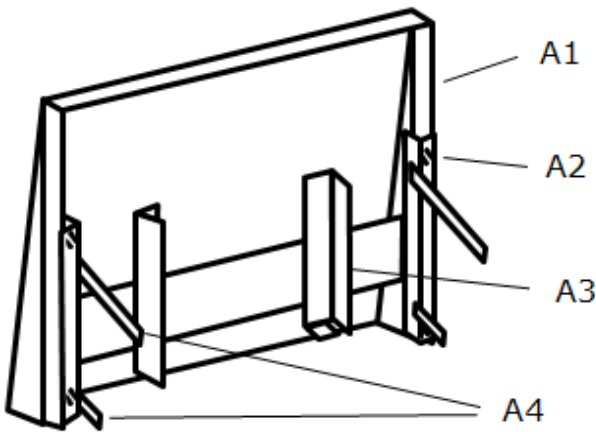
Open the door and remove the door cover from the plug carrier assembly.

Remove the old door plug by sliding it upwards out of its carrier.

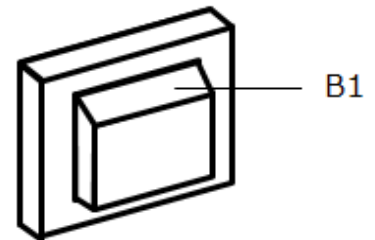
Slide the new plug into the carrier assembly making sure that the plug is the correct way up.

Refit the door cover.

When first heating the furnace after a replacement, ensure that the ventilation is good: emission of some fumes is to be expected.



A



B

| Key | |
|-----|---------------------------|
| A | Door (seen from the back) |
| A1 | Door Cover |
| A2 | Fixing Screws |
| A3 | Door Plug Carrier |
| A4 | Door Link Arms |
| B | Door Plug |
| B1 | Top |

6.8 Fuse Replacement

Fuses are marked on the wiring diagram with type codes, e.g. F1, F2. For more information on fuses refer to section 9.0.

Depending on model and voltage, the different fuse types may or may not be fitted.

If any fuse has failed, it is advisable for an electrician to check the internal circuits.

Replace any failed fuses with the correct type. For safety reasons do not fit larger capacity fuses without first consulting Carbolite Gero.

The fuses are located at the cable entry point. Remove the back panel or control box back panel to gain access to the fuses.

7.0 Fault Analysis

| A. Furnace Does Not Heat Up | | | | | |
|-----------------------------|-----------------------|---|---|---|--|
| 1. | The HEAT light is ON | ▶ | The heating element has failed | ▶ | Check also that the SSR is working correctly |
| 2. | The HEAT light is OFF | ▶ | The controller shows a very high temperature or code such as S.br | ▶ | The thermocouple has broken or has a wiring fault |
| | | ▶ | The controller shows a low temperature | ▶ | The door switch(es) (if fitted) may be faulty or need adjustment |
| | | | | ▶ | The contactor/relay (if fitted) may be faulty |
| | | | | ▶ | The heater switch (if fitted) may be faulty or need adjustment |
| | | | | ▶ | The SSR could be failing to switch on due to internal failure, faulty logic wiring from the controller, or faulty controller |
| | | ▶ | There are no lights glowing on the controller | ▶ | Check the supply fuses and any fuses in the furnace control compartment |
| | | | | ▶ | The controller may be faulty or not receiving a supply due to a faulty switch or a wiring fault. |

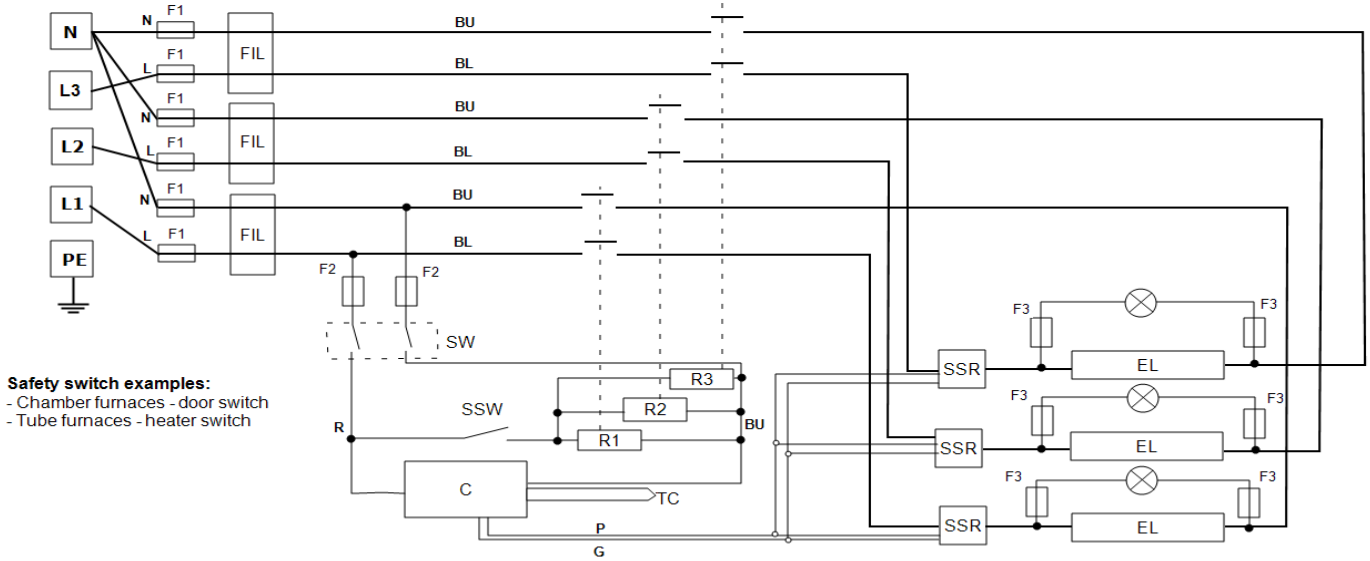
B. Product Overheats

| | | | | | |
|----|--|---|--|---|--|
| 1. | Product only heats up when the instrument switch is ON | ▶ | The controller shows a very high temperature | ▶ | The controller is faulty |
| | | ▶ | The controller shows a low temperature | ▶ | The thermocouple may be faulty or may have been removed out of the heating chamber |
| | | | | ▶ | The thermocouple may be connected the wrong way around |
| | | | | ▶ | The controller may be faulty |
| 2. | Product heats up when the instrument switch is OFF | ▶ | The SSR has failed "ON" | ▶ | Check for an accidental wiring fault that could have overloaded the SSR |

8.0 Wiring Diagrams

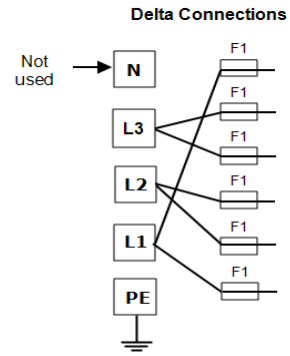
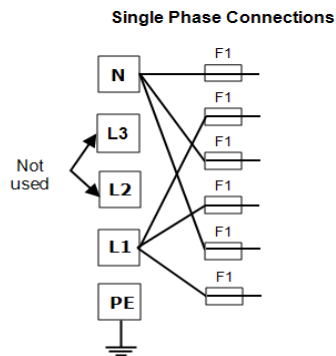
8.1 WA-U3-30

Connections below show 3-phase +N with indirect safety switches.



Safety switch examples:
 - Chamber furnaces - door switch
 - Tube furnaces - heater switch

See below for other configurations



| Key | |
|------------------------------------|-----------------------|
| F1, F2, F3 | Fuses |
| FIL | Filter (if fitted) |
| C | Controller |
| TC | Control Thermocouple |
| R1, R2, R3 | Relay |
| R1/1, R1/2, R2/1, R2/2, R3/1, R3/2 | Relay contactor |
| SW | Instrument Switch(es) |
| SSW | Safety Switch |
| EL | Element |
| SSR | Solid State Relay |
| N | Neutral |
| L | Live |
| PE | Earth |

| Cables | |
|--------|----------------|
| BU | Blue |
| R | Red |
| BL | Black |
| GR/Y | Green + Yellow |
| G | Grey |
| P | Pink |

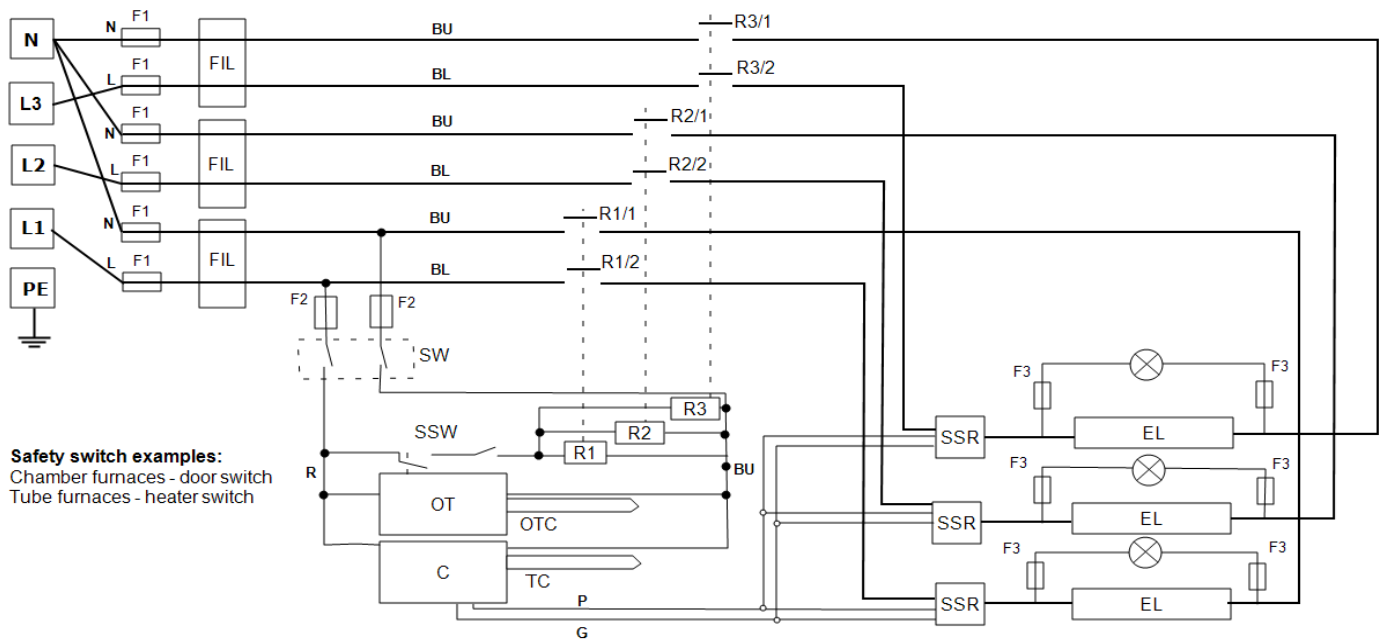
Products with this wiring arrangement may be converted between the following supply voltages (please refer to the table within section 9.0 for compatible phases with the product):

- 3-phase + neutral in the range 380/220 V - 415/240 V
- 3-phase delta in the range 220 V - 240 V
- Single phase in the range 220 V - 240 V
- *208 V model: can be converted between 208 V delta and 208 V 1-phase*

Please contact Carbolite Gero Service for details.

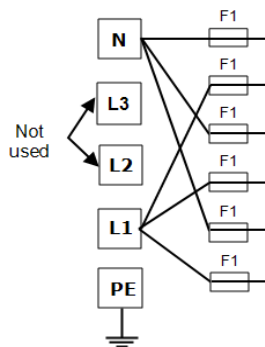
8.2 WA-U3-31

Connections below show 3-phase +N with safety switches and over-temperature control.

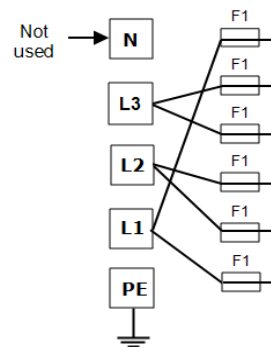


See below for other configurations

Single Phase Connections



Delta Connections



| Key | |
|------------------------------------|-------------------------------|
| F1, F2, F3 | Fuses |
| FIL | Filter (if fitted) |
| C | Controller |
| TC | Control Thermocouple |
| OT | Over-Temperature Controller |
| OTC | Over-Temperature Thermocouple |
| R1, R2, R3 | Relay |
| R1/1, R1/2, R2/1, R2/2, R3/1, R3/2 | Relay contactor |
| SW | Instrument Switch(es) |
| SSW | Safety Switch |
| EL | Element |
| SSR | Solid State Relay |
| N | Neutral |
| L1, L2, L3 | Live |
| PE | Earth |

| Cables | |
|--------|----------------|
| BU | Blue |
| R | Red |
| BL | Black |
| GR/Y | Green + Yellow |
| G | Grey |
| P | Pink |

Products with this wiring arrangement may be converted between the following supply voltages (please refer to the table within section 9.0 for compatible phases with the product):

- 3-phase + neutral in the range 380/220 V - 415/240 V
- 3-phase delta in the range 220 V - 240 V
- Single phase in the range 220 V - 240 V
- *208 V model: can be converted between 208 V delta and 208 V 1-phase*

Please contact Carbolite Gero Service for details.

9.0 Fuses and Power Settings

9.1 Fuses

F1-F3: Refer to the circuit diagrams.

| | | | |
|----|-------------------------|--|--|
| F1 | Internal Supply Fuses | Fitted if supply cable fitted. Fitted on board to some types of EMC filter. | 38 mm x 10 mm type F fitted on EMC filter circuit board(s) |
| F2 | Auxiliary Circuit Fuses | Fitted on board to some types of EMC filter. May be omitted up to 25 Amp/phase supply rating. | 2 Amps glass type F On board: 20 mm x 5 mm Other: 32 mm x 6 mm |
| F3 | Heat Light Fuses | May be omitted up to 25 Amp/phase supply rating. | 2 Amps glass type F 32 mm x 6 mm |
| | Customer Fuses | Required if no supply cable fitted. Recommended if cable fitted. | See rating label for current; See table below for fuse rating. |

| Model | Phases | Volts | Supply Fuse Rating |
|-----------|--------------------|---------|--------------------|
| AAF 11/18 | 1-phase | 220-240 | 63 A |
| AAF 11/18 | 1-phase | 200-208 | 16 A |
| AAF 11/18 | 3-phase delta | 220-240 | 12 A per phase |
| AAF 11/18 | 3-phase no Neutral | 308-415 | 12 A per phase |

9.2 Power Settings

The power limit settings (parameter OP.Hi) for this model are voltage dependant. The figures represent the maximum percentage of time that controlled power is supplied to the elements. Do not attempt to "improve performance" by setting a value higher than the recommended values. To adjust the parameter refer to the "Changing the Maximum Output Power" of the control section of the manual.

| Volts | 110 V | 200 V | 208 V | 220 V 380 V | 230 V 400 V | 240 V 415 V | 254 V 440 V |
|-----------|-------|-------|-------|----------------|----------------|----------------|----------------|
| Power (%) | - | 100 | 100 | 100 | 100 | 94 | 83 |

Please refer to the rating label for product specific information.

10.0 Specifications

Carbolite Gero reserves the right to change the specification without notice.

| Model | Max Temp (°C) | Max Power (kW) | External Size (mm) | | | Chamber Size (mm) | | | Net Weight (kg) |
|---|---------------|----------------|--------------------|-----|-----|-------------------|-----|-----|-----------------|
| | | | H | W | D | H | W | D | |
| Ashing Burn-off and Coal and Coke Testing Furnace | | | | | | | | | |
| AAF 11/18 | 1100 | 7.08 | 705 | 505 | 675 | 235 | 196 | 400 | 70 |

10.1 Environment

The models listed in this manual contain electrical parts and should be stored and used in indoor conditions as follows:

Temperature: 5 °C - 40 °C

Relative humidity: Maximum 80 % up to 31 °C decreasing linearly to 50 % at 40 °C

ProductLabel

The products covered in this manual are only a small part of the wide range of ovens, chamber furnaces and tube furnaces manufactured by Carbolite Gero for laboratory and industrial use. For further details of our standard or custom built products please contact us at the address below, or ask your nearest stockist.

For preventive maintenance, repair and calibration of all furnace and oven products, please contact:

Carbolite Gero Service

Telephone: + 44 (0) 1433 624242

Fax: +44 (0) 1433 624243

Email: ServiceUK@carbolite-gero.com

Carbolite Gero Ltd,

Parsons Lane, Hope, Hope Valley,
S33 6RB, England.

Telephone: + 44 (0) 1433 620011

Fax: + 44 (0) 1433 621198

Email: Info@carbolite-gero.com

www.carbolite-gero.com

CARBOLITE
GERO 30-3000°C

Copyright © 2021 Carbolite Gero Limited